

# ***Reaction to fire classification report No. 19530C***

## **Owner of the classification report**

ORAC NV  
Biekorfstraat 32  
8400 Oostende  
Belgium

## **Introduction**

This classification report defines the classification assigned to the product '**PUROTOUCH**' in accordance with the procedures given in the standard EN 13501-1:2007+A1:2009: Fire classification of construction products and building elements - Part 1: classification using data from reaction to fire tests.

**This classification report consists of 8 pages**

## 1. DETAILS OF CLASSIFIED PRODUCT

### a) Nature and end use application

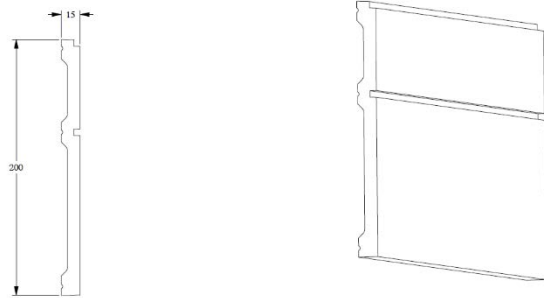
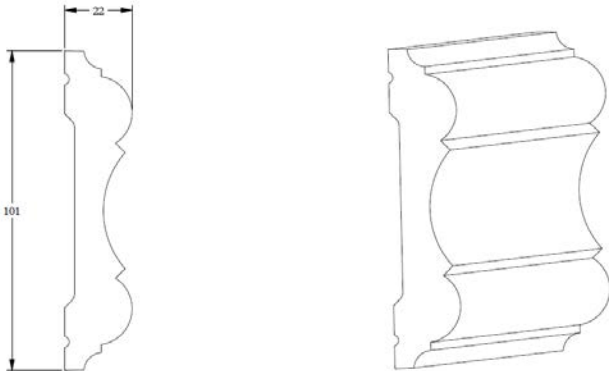
The product **PUROTOUCH** is defined as a 'decorative polyurethane foam moulding profile'.

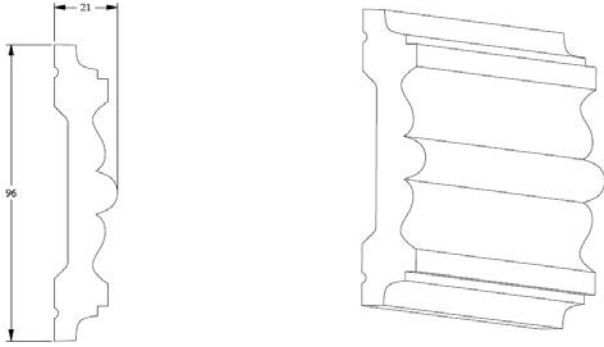
Its classification is valid for the following end use application(s):

Used for internal applications as decorative item.

### b) Description of the tested product

*This description is based on information given by the sponsor.*

Nominal values	
<b>PUROTOUCH</b>	
Type of product	Decorative moulding profile made of high-density polyurethane foam (core material) with a white fire retardant coating (paint) on the front side and the sides. The back side of the profile was not coated.
Manufacturer	ORAC NV
Type of profile (reference)	
P5050	
P8040	

Nominal values	
<b>PUROTOUCH</b>	
<i>P9020</i>	
Thickness (mm)	
<i>P5050</i>	The thickness varies between 9 mm (minimum thickness) and 15 mm (maximum thickness) over the whole width of the profile.
<i>P8040</i>	The thickness varies between 8 mm (minimum thickness) and 22 mm (maximum thickness) over the whole width of the profile.
<i>P9020</i>	The thickness varies between 8 mm (minimum thickness) and 21 mm (maximum thickness) over the whole width of the profile.
Linear mass (g/m)	
<i>P5050</i>	422
<i>P8040</i>	272
<i>P9020</i>	253
<b>Components</b>	
<b>1. Fire retardant paint (on the front side and the sides of the profile)</b>	
Type of product	Fire retardant paint
Trade name	AL20x
Manufacturer	Aithon
Applied amount (g/m <sup>2</sup> ) (dried weight)	250
Dried film thickness (mm)	0,18
Use of fire retardants	Yes
Colour	White

Nominal values	
<b>Components</b>	
<b>2. Core material: polyurethane foam</b>	
Type of product	High-density polyurethane foam
Trade name	PUROTOUCH
Manufacturer	ORAC DECOR
Thickness (mm)	
	<i>P5050</i> The thickness varies between 9 mm (minimum thickness) and 15 mm (maximum thickness) over the whole width of the profile.
	<i>P8040</i> The thickness varies between 8 mm (minimum thickness) and 22 mm (maximum thickness) over the whole width of the profile.
	<i>P9020</i> The thickness varies between 8 mm (minimum thickness) and 21 mm (maximum thickness) over the whole width of the profile.
Density (kg/m <sup>3</sup> )	200
Use of fire retardants	No
Colour	Yellow
<b>DecoFix POWER (used to glue the profiles onto the substrate)</b>	
Type of product	MS-polymer-based installation adhesive
Manufacturer	Known by the laboratory
Density (kg/l; wet)	1,2
Use of fire retardants	No
Colour	White

More details (e.g. mounting and fixing) are available in the test reports in support of this classification (§2a).

## 2. TEST REPORTS AND EXAP REPORTS AND TEST RESULTS IN SUPPORT OF THIS CLASSIFICATION

### a) Test reports (and EXAP reports)

Name of the laboratory	Name of the sponsor	Test report ref. No. and test date	Test method
WFRGENT nv Ghent, Belgium	ORAC NV	19530A: 16/01/2019	EN ISO 11925-2 (November 2010/AC:2011)
WFRGENT nv Ghent, Belgium	ORAC NV	19530B: 28/01/2019 08/02/2019 & 11/02/2019	EN 13823 (July 2010+A1:2014)

b) Test results

Test method	Parameter	Number of tests	Results		Criteria for Class C-s2,d0	
			Continuous parameters Mean	Compliance parameters	Continuous parameters	Compliance parameters
<b>EN ISO 11925-2 (*) (1)</b> 30 s flame application:						
<u>Surface exposure</u> - front side	$F_s \leq 150$ mm Ignition filter paper	6	(-)	Yes	(-)	Yes
<u>Edge exposure</u> - mid point 1,5 mm behind surface	$F_s \leq 150$ mm Ignition filter paper	6	(-)	Yes	(-)	Yes
			(-)	No	(-)	No
(*) The material didn't melt nor pull away from the pilot burner. (1) Based on the results obtained in test report No. 19530A.						
<b>EN 13823 (2)</b>	FIGRA <sub>0,2 MJ</sub> (W/s)		206	(-)	(-)	(-)
	FIGRA <sub>0,4 MJ</sub> (W/s)		66	(-)	≤ 250	(-)
	LFS <sub>&lt;edge</sub>		(-)	Yes	(-)	Yes
	THR <sub>600s</sub> (MJ)		3,8	(-)	≤ 15	(-)
	SMOGRA (m <sup>2</sup> /s <sup>2</sup> )	4	18	(-)	≤ 180	(-)
	TSP <sub>600s</sub> (m <sup>2</sup> )		117	(-)	≤ 200	(-)
	Flaming droplets/particles					
	f < 10 s		(-)	No	(-)	No
	f > 10 s		(-)	No	(-)	No
(2) Based on the results obtained in test report No. 19530B.						

(-) Not applicable.

### 3. CLASSIFICATION AND FIELD OF APPLICATION

a) Reference of classification

This classification has been carried out in accordance with EN 13501-1:2007+A1:2009.

b) Classification

The product **PUROTOUCH** in relation to its reaction to fire behavior is classified as:

Fire behavior	Smoke production	Flaming droplets
C	s2	d0

c) Field of application

This classification for the product as described in §1b, is valid for the following end use conditions:

- Substrate: Euro class A2-s1,d0 or better with a minimal thickness of 12 mm and a minimal density of 525 kg/m<sup>3</sup>. The parts of the substrate which are not covered by the decorative profiles are coated with the same fire retardant paint (250 g/m<sup>2</sup>) as the decorative profiles.
- Without air gap
- Fixing: The decorative moulding profiles are glued onto the substrate using DecoFix POWER (MS-polymer-based installation adhesive) in an amount of 20 ml / m moulding.
- Horizontal and/or vertical orientation of the decorative moulding profiles
- With or without vertical and/or horizontal butt joints between adjacent moulding profiles

This classification is valid for the following product parameters:

- Valid for the following profile types (see Figures in §1b) and related linear masses:
  - P5050: 422 g/m
  - P8040: 272 g/m
  - P9020: 253 g/m
- The decorative moulding profiles cover up to maximum 70 % of the wall and ceiling surface
- Mass of the profiles: Up to 1641 g / m<sup>2</sup> wall or ceiling surface
- Applied amount of fire retardant paint: 250 g/m<sup>2</sup> (dry)
- Colour of the fire retardant paint: White
- Density of the polyurethane foam (core material): 200 kg/m<sup>3</sup>
- Use of fire retardants: Yes

#### **4. RESTRICTIONS**

At the time the standard EN 13501-1:2007+A1:2009 was published, no decision was made concerning the duration of validity of a classification report.

Provisions of Regulation (EU) 305/2011, commonly known as the Construction Products Regulation (CPR), prevail over any conflicting provisions in the harmonised standards and technical specifications.

## 5. WARNING

This classification report does not represent type approval nor certification of the product.

According to the information mentioned by the sponsor on the technical information sheet there was no product standard for CE marking available at the time the classification report for the tested material/product was drafted.

When such a product standard is published, this report may be submitted again to the laboratory to evaluate the adequacy of the report for CE marking.

PREPARED BY

APPROVED BY

This document is the original version of this classification report and is written in English.

This report may be used only literally and completely for publications. - For publications of certain texts, in which this report is mentioned, our permission must be obtained in advance.

The authenticity of the electronic signatures is assured by Belgium Root CA.